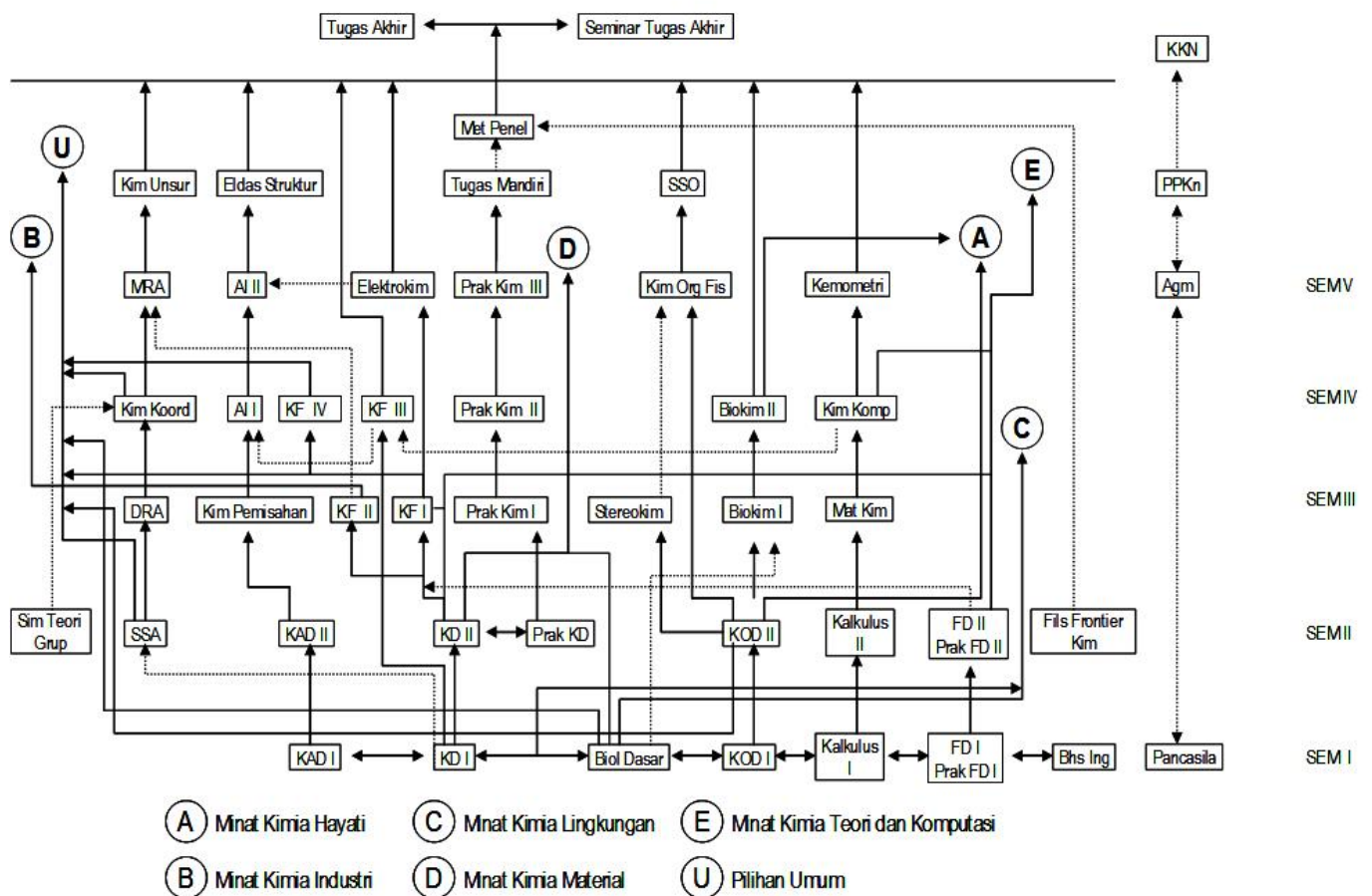


# Download



[Download Buku Ajar Vogel Kimia Analisis Kuantitatif Anorganik Pdf](#)

## Peta Matakuliah Wajib



[Download Buku Ajar Vogel Kimia Analisis Kuantitatif Anorganik Pdf](#)

---

**Download**



---

## **buku ajar vogel kimia analisis kuantitatif anorganik pdf**

buku ajar vogel kimia analisis kuantitatif anorganik pdf, buku ajar vogel kimia analisis kuantitatif anorganik, download buku ajar vogel kimia analisis kuantitatif anorganik pdf

## **download buku ajar vogel kimia analisis kuantitatif anorganik pdf**

1dff872cbc